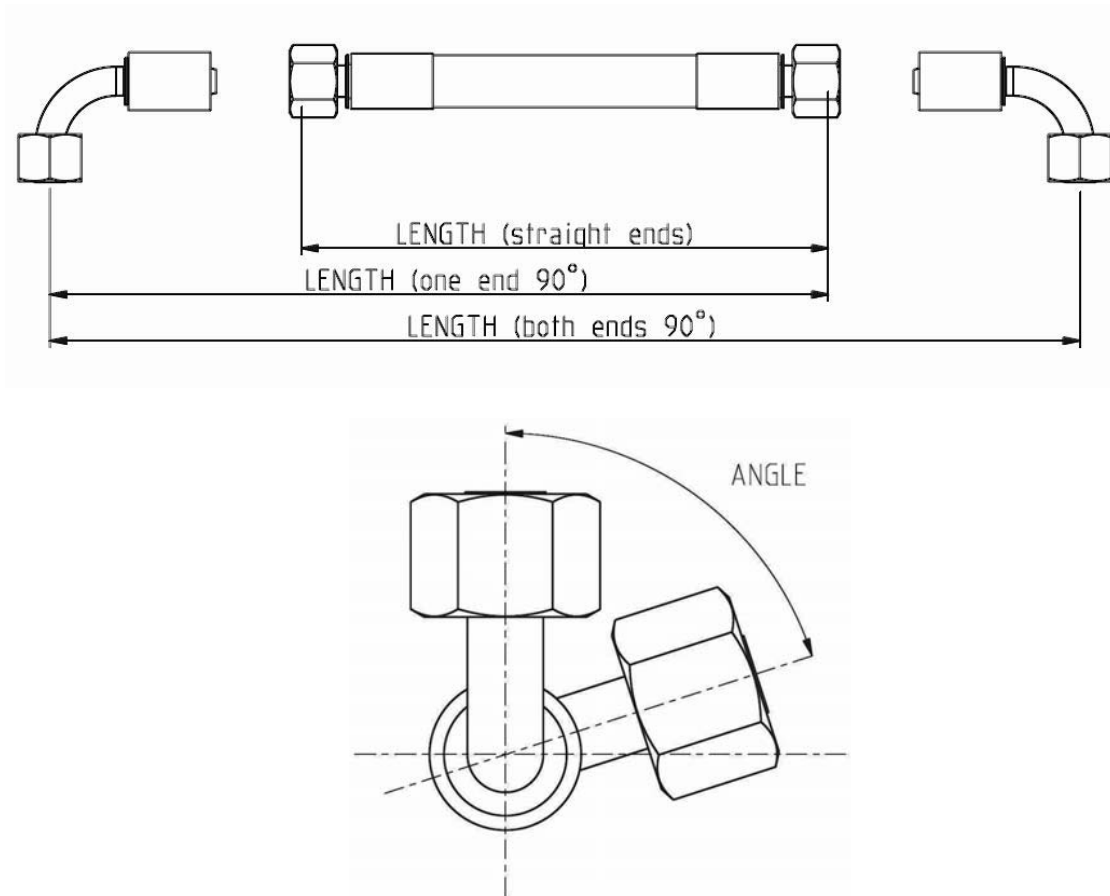


High pressure rubber hose assemblies

TECHNICAL DATA SHEET K0006912 REVISION A DATE OF ISSUE 13 Aug 2012



See table below for most commonly used high pressure rubber hose assemblies in HI-FOG® systems.

Stock code	Type code	Length (mm)	Angle	Material		Used in
				Sleeve	Nut	
A20062	8S90-R-8SA-300E	300		A3C	A3C	GPU, GPUC
A20064.1	8S90-R-8SA-400E	400		A3C	A3C	DAU
A20073.1	8S90-R-8SA-1000E	1000		A3C	A3C	DAU
A20079.1	8S90-R-8SA-600E	600		A3C	A3C	NAU, GPU, GPUC, DAU
A20080	8S90-R-8S90A-600E	600	0°	A3C	A3C	NAU, RAU, MAU MT3, KAU
A20088.1	8S90-R-8SA-600A	600		A3C	A3C	GPU, KAU, WAU, WGU

High pressure rubber hose assemblies

Stock code	Type code	Length (mm)	Angle	Material		Used in
				Sleeve	Nut	
A20020	12S90-R-12S90B-630E	630		A3C	A3C	Spare part
A20060	12S90-R-12SA-660B	660		AISI316L	AISI316L	DPU
A20069	12S90-R-12S90D-970E	970	270°	A3C	A3C	NAU
A20070.1	12S90-R-12S90A-630B	630	0°	AISI316L	AISI316L	NAU, KAU, MAU
A20082.1	12S-R-12SA-1700E	1700		A3C	A3C	DAU
A20084.1	12S-R-12SA-1000E	1000		A3C	A3C	DAU
A20092	12S90-R-12S90D-630E	630	270°	A3C	A3C	Spare part
A20066	16S-R-16SA-1160A	1160		A3C	A3C	FOAM
A20067	16S90-R-16SA-975A	975		A3C	A3C	WAU, WGU, FOAM
A20120	16S-R-16SA-1000A	1000		AISI316L	AISI316L	HYDRANT
A20150	16S-R-16SA-25000A	25000		AISI316L	AISI316L	HYDRANT

The table lists only the most common rubber hose assemblies. For information and availability of other rubber hose assemblies, contact Marioff.

For more information on type codes, see Marioff Code Key User Manual (DOC0005241).

NOTE! Rubber hoses deteriorate during storage and service and therefore they must be changed on a regular basis. Different national and international standards give somewhat different recommendations for ideal storage period and service life of rubber hoses, and the hose changing frequency may vary between countries depending on which standard they follow. Marioff recommends generally that rubber hoses are changed every five years.



Marioff Corporation Oy • Virnatie 3, 01300 Vantaa, Finland • Tel. +358 10 6880 000 • Fax +358 10 6880 010 • www.marioff.com